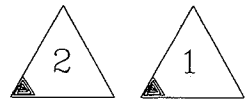


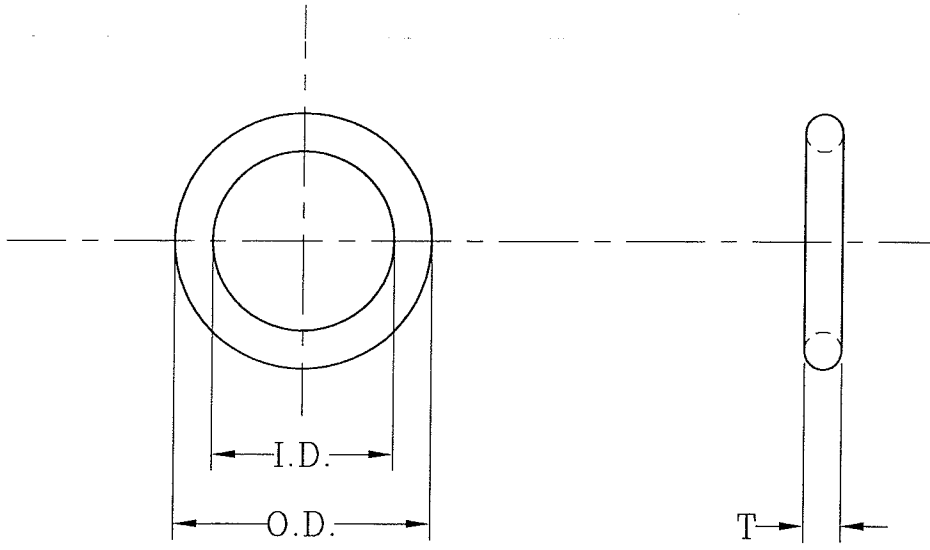
REVISIONS

ITM	DESCRIPTION	DATE	BY
1	COLOUR CHANGE	FEB94	RS
2	REVISED PER ECN #4335	OCT 25/04	IK
3	REVISED PER ECN #4446	APR 06/05	IK

THIS DRAWING/DESIGN IS STRICTLY CONFIDENTIAL & THE COPYRIGHT THEREIN THE EXCLUSIVE PROPERTY OF **MOBILE CLIMATE CONTROL INC.** AND MAY NOT BE USED OR COPIED OR EXHIBITED WITHOUT THEIR WRITTEN PERMISSION



MATERIAL: BLACK NEOPRENE
70 DUROMETER (SHORE A)



NOTE: SUITABLE FOR REFRIGERANT R134A.



27-0604	O-RING #12	17.17	1.78	11/16"	13/16"	0.07
27-0603	O-RING #10	14.00	1.78	9/16"	11/16"	0.07
27-0602	O-RING #8	10.82	1.78	7/16"	9/16"	0.07
27-0601	O-RING #6	7.65	1.78	5/16"	7/16"	0.07
PART NO.	DESCRIPTION	I.D. (M.M.)	T (M.M.)	NOMINAL SIZE (IN INCHES) REF ONLY		
				I.D.	O.D.	T

CHECK BY: <i>lw</i>	4/11/05	SYM	PCS	PART NO.	DESCRIPTION
---------------------	---------	-----	-----	----------	-------------

Mobile Climate Control Inc. Toronto - Ontario - Canada	<h2 style="margin: 0;">O-RINGS (R134A)</h2>	SCALE: NTS BY: RS
	DATE: JULY 23/93	
	DWG: P4-1242 REV. 3	