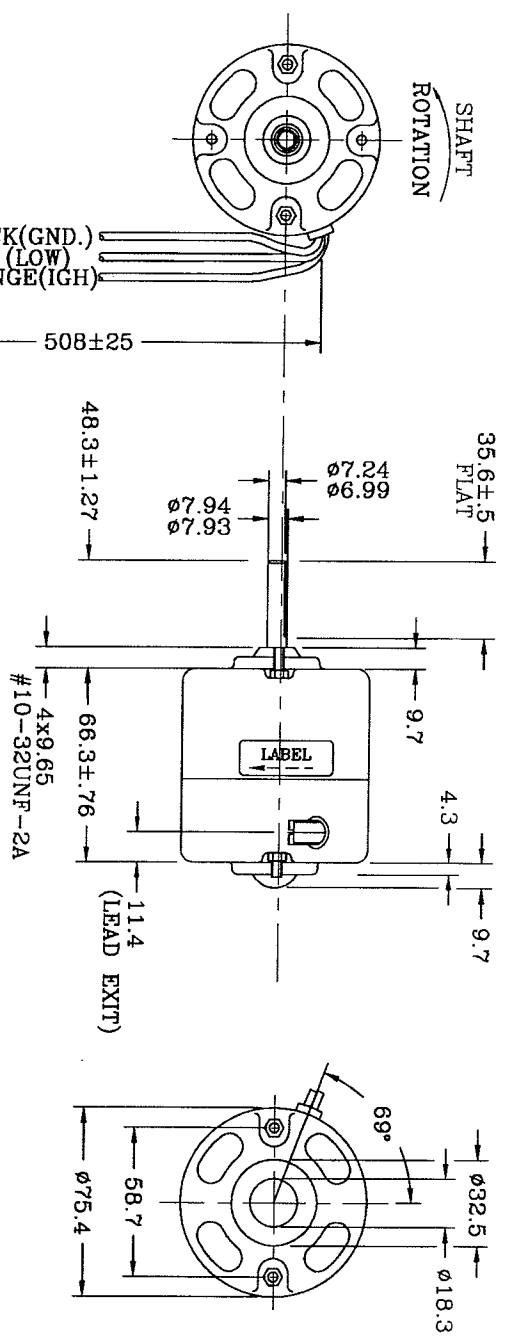
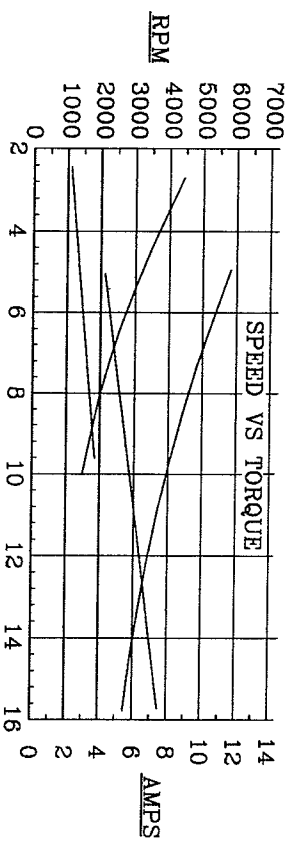


THIS DRAWING/DESIGN IS STRICTLY CONFIDENTIAL & THE
 COPYRIGHT THEREIN THE EXCLUSIVE PROPERTY OF
MOBILE CLIMATE CONTROL INC.
 AND MAY NOT BE USED OR COPIED OR EXHIBITED WITHOUT
 THEIR WRITTEN PERMISSION



NOTE:
 TWO SPEED MOTOR COMES WITH:
 1. IRON BEARINGS.
 2. 16GA. GPT. (60°C) LEAD WIRE.
 3. CW ROTATION



OZ-IN:

CHECK BY: *[Signature]*

DATE: *28 Apr 97*

MCC 37

SYN/PCS/PART NO.

DESCRIPTION

25-0105
 MOTOR 12V (2 SP.)

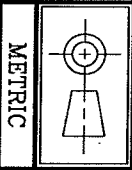
SCALE: NTS

DATE: APR 28, 1997

DWG: P3-5035

BY: MD

REV: 0



STX	DESCRIPTION	DATE	BY
	REVISION		

THIS PRINT IS PROVIDED ON A RESTRICTED BASIS AND IS NOT TO BE USED IN ANY WAY DETRIMENTAL TO THE INTEREST OF MOBILE CLIMATE CONTROL INC.