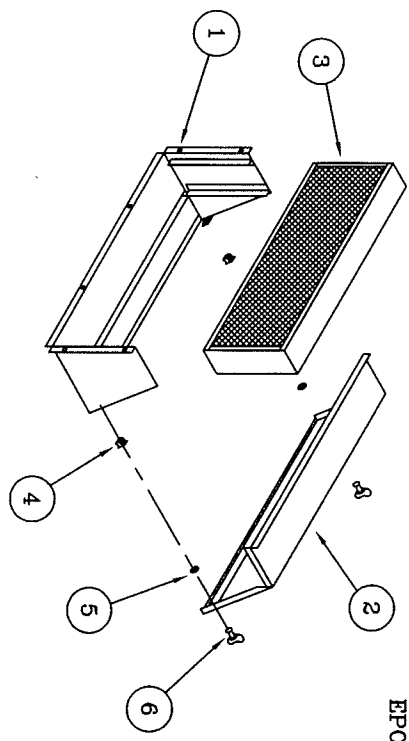
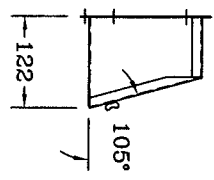


φ6.5 (6x)  
MOUNTING HOLES

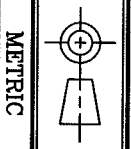


**NOTE:**  
MADE OF 18GA (1.25mm) CRS AND FINISHED  
IN LIGHT GRAY (NO# HA-102-G)SEMI-GLOSS  
EPOXY POWDER COAT.

QTY	SYM	PCS	PART NO.	DESCRIPTION
6	2	29-0082	STUD WING HEAD	
5	2	29-0076	RECEPTACLE	
4	2	29-0077	RETAINER	
3	1	26-0041	AIR FILTER	
2	1	24-2209	COVER	
1	1	24-2220	FILTER BOX	

1	REVISED PER ECN #3025	NOV 2/01	HJB
SYM	DESCRIPTION	DATE	BY
	REVISION		

THIS PRINT IS PROVIDED ON A RESTRICTED BASIS AND IS NOT TO BE USED IN ANY MANNER DETRIMENTAL TO THE INTEREST OF MOBILE CLIMATE CONTROL INC.



**Mobile Climate Control Inc.**  
North York - Ontario - Canada

16-0200  
FILTER ASSY.

SCALE: NTS  
DATE: APR 7, 1997  
DWG: P3-4912  
BY: DP  
REV: 1