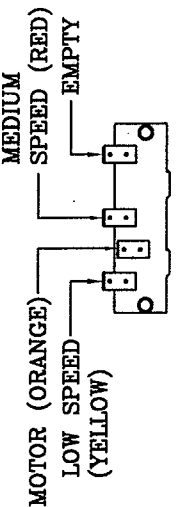


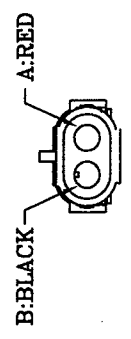
THIS DRAWING / DESIGN IS STRICTLY CONFIDENTIAL & THE  
 COPYRIGHT THEREIN THE EXCLUSIVE PROPERTY OF  
**MOBILE CLIMATE CONTROL INC.**  
 AND MAY NOT BE USED OR COPIED OR EXHIBITED WITHOUT  
 THEIR WRITTEN PERMISSION

**DET. "B"**

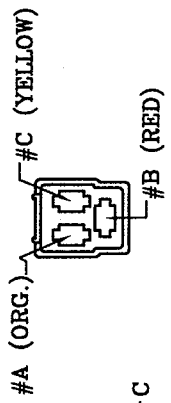
(CONNECTIONS ON THE RESISTOR)



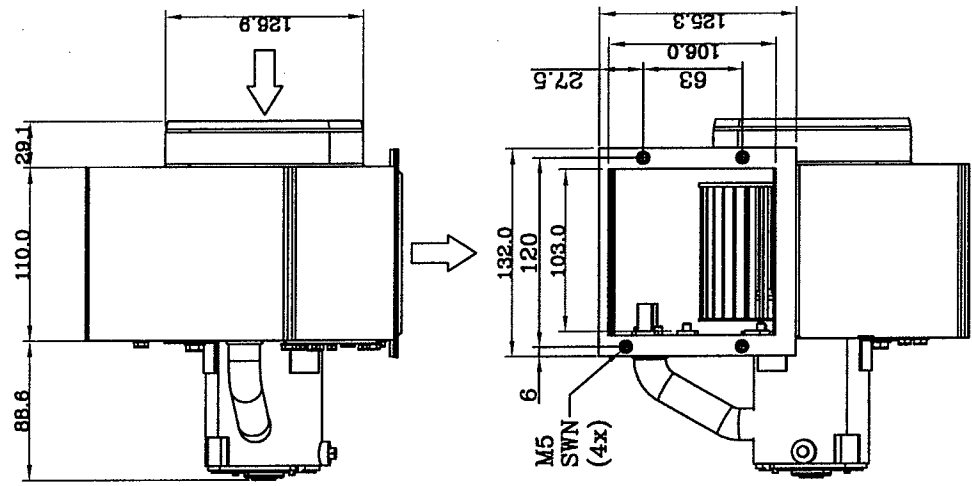
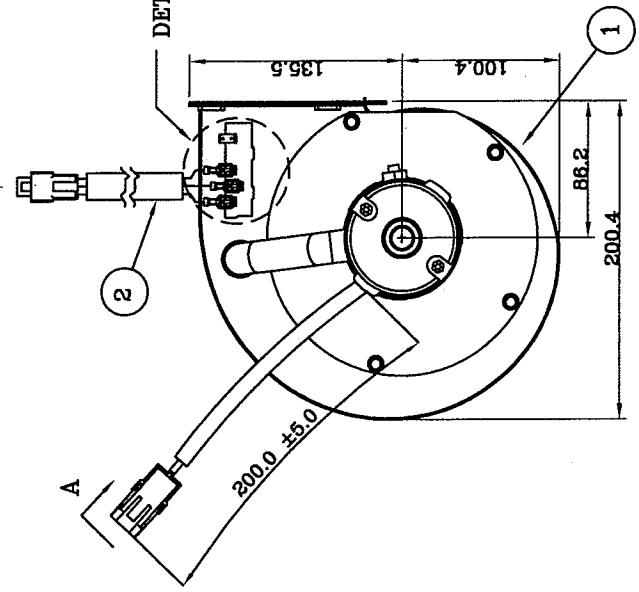
**VIEW "A"**



**VIEW "C"**



**VIEW "B"**



**NOTES:**

CASING MADE OF COLD ROLLED STEEL AND FINISHED IN BLACK EPOXY POWDER COAT.  
 MOTOR HAS BALL BEARINGS AND LONG LIFE BRUSHES.  
 BLOWER WHEEL MADE OF GF NYLON.

**ELECTRICAL CONNECTORS:**

VIEW "A" - WEATHER PACK 2-WAY SHROUD CONNECTOR #12010973 (MCC #31-1068).  
 VIEW "C" - 3-WAY PACKARD CONNECTOR #2984678 (MCC #31-1031).

MCC 37					
2	1	25-2247	WIRING HARNESS	SCALE	NTS
1	1	15-8029	BLOWER ASSY.	DATE	FEB 13, 2006
				BY	15-8023-1.dwg
					0

CHECK BY: *[Signature]* DATE: 2/14/06

DESCRIPTION  
 15-8023-1  
 BLOWER ASSY. 12V

Mobile Climate Control Inc.  
 Toronto - Ontario - Canada

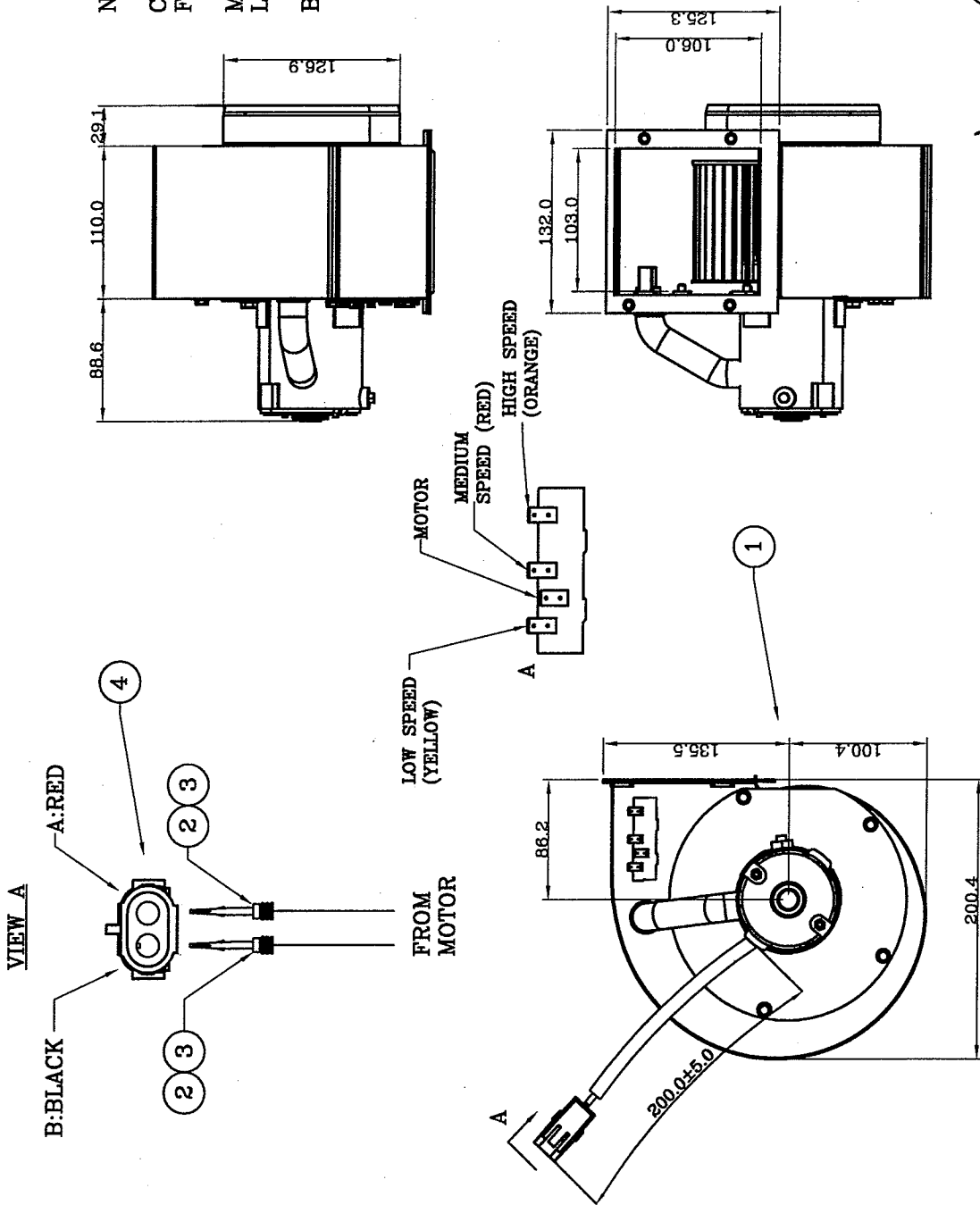


THIS PRINT IS PROVIDED ON A RESTRICTED BASIS AND IS NOT TO BE USED IN ANY WAY DETRIMENTAL TO THE INTEREST OF MOBILE CLIMATE CONTROL INC.

REV	DATE	BY	REVISION

THIS DRAWING / DESIGN IS STRICTLY CONFIDENTIAL & THE  
 COPYRIGHT THEREIN THE EXCLUSIVE PROPERTY OF  
**MOBILE CLIMATE CONTROL INC.**  
 AND MAY NOT BE USED OR COPIED OR EXHIBITED WITHOUT  
 THEIR WRITTEN PERMISSION

**NOTES:**  
 CASING MADE OF COLD ROLLED STEEL AND  
 FINISHED IN BLACK EPOXY POWDER COAT.  
 MOTOR HAS BALL BEARINGS AND LONG  
 LIFE BRUSHES.  
 BLOWER WHEEL MADE OF GF NYLON.

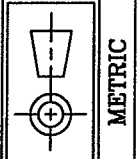


SYM	PCS	PART NO.	DESCRIPTION
4	1	31-1068	PED WP 2-WAY SHROUD CONNECTOR
3	2	31-1214	PED MALE TERMINAL 12GA
2	2	31-1284	SEAL (BLUE) 12-14 GA
1	1	15-8029	BLOWER 12V

SCALE:	NTS	BY:	HC
DATE:	NOV 22, 05		
DWG. NO.:	15-8029.dwg		
15-8029		BLOWER ASSEMBLY	

CHECK BY: *[Signature]* DATE: 12/01/05

**Mobile Climate Control Inc.**  
 Toronto - Ontario - Canada



ANG.	1/8"	3/16"	1/4"	5/16"	3/8"	1/2"	5/8"	3/4"	1"	OVER
±1°	±0.15	±0.5	±0.8	±1.2	±1.5	±2.5	±3.5	±4.5	±5.5	±4

TOLERANCE UNLESS OTHERWISE SPECIFIED

THIS PRINT IS PROVIDED ON A RESTRICTED BASIS AND IS NOT TO BE USED IN ANY WAY DETRIMENTAL TO THE INTEREST OF MOBILE CLIMATE CONTROL INC.

REV	DATE	BY	DESCRIPTION
1	DEC 1, 05	HC	AS PER ECN 4689