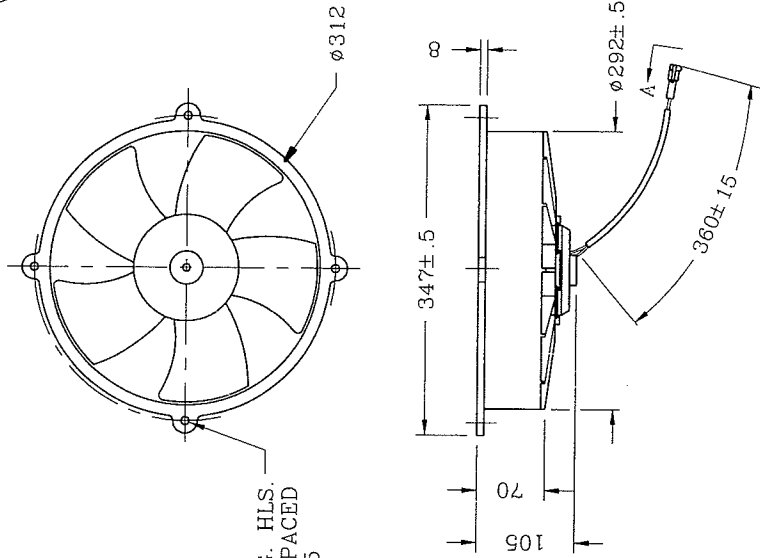
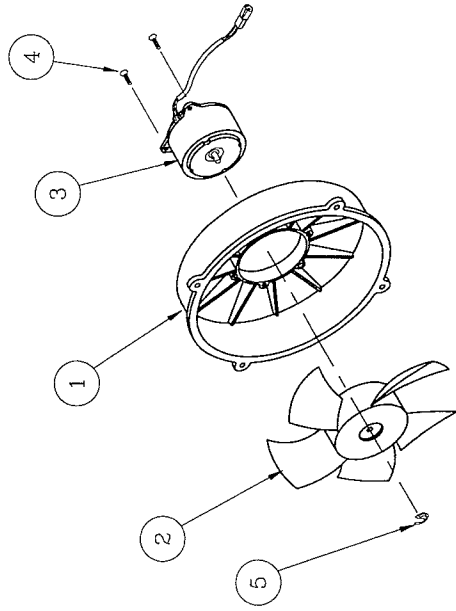
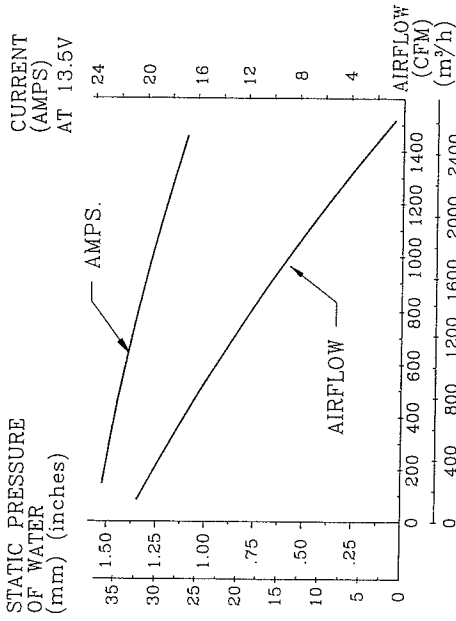


THIS DRAWING / DESIGN IS STRICTLY CONFIDENTIAL & THE  
 COPYRIGHT THEREIN THE EXCLUSIVE PROPERTY OF  
**MOBILE CLIMATE CONTROL INC.**  
 AND MAY NOT BE USED OR COPIED OR EXHIBITED WITHOUT  
 THEIR WRITTEN PERMISSION



∅8(4x) MTG. HLS.  
 EQUALLY SPACED  
 ON ∅321 ± .5



**NOTE:**

VENTURE MADE OF 30% GLASS FILLED  
 POLYPROPYLENE AND PAN MADE OF  
 30% GLASS FILLED NYLON

SPRAY THE CENTRE OF BLOWER WHEEL  
 WITH ANTI-RUST.

**ELECTRICAL CONNECTIONS:**

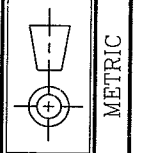
2-WAY MALE WEATHER PACK CONNECTOR,  
 PACKARD #12010973 (MCC #31-1068)  
 WITH MALE TERMINAL #12124582-L (2X)  
 (MCC #31-1039) AND SEAL #12010293  
 (2X) (MCC #31-1024)

5	1	29-0167	"C" CLIP
4	3	29-0166	#10-32 HEX. SOCKET CTR. SUNK
3	1	25-0591	MOTOR 12V
2	1	25-0579	FAN
1	1	25-0577	VENTURI

SYM		PCS	PART NO	DESCRIPTION
15-7501				FAN ASSY. 12V
SCALE:		NTS		
BY:		GR		
DATE:		AUG 29, 1995		
DWG:		P3-2887		
REV:		0		

CHECK BY: *Matt* DATE: *08/13/92*

**MCC** Mobile Climate Control Inc.  
 Concord - Ontario - Canada



TOLERANCE UNLESS OTHERWISE SPECIFIED

ANG.	0.5	0.5	30	120	315	1000	1000	2000	OVER
±F	±0.15	±0.2	±0.5	±0.8	±1.2	±2	±3	±4	

THIS PRINT IS PROVIDED ON A RESTRICTED BASIS AND IS NOT TO BE USED IN ANY WAY DETRIMENTAL TO THE INTEREST OF MOBILE CLIMATE CONTROL INC.

SYN	DESCRIPTION	DATE	BY	REVISION

re-*vent*