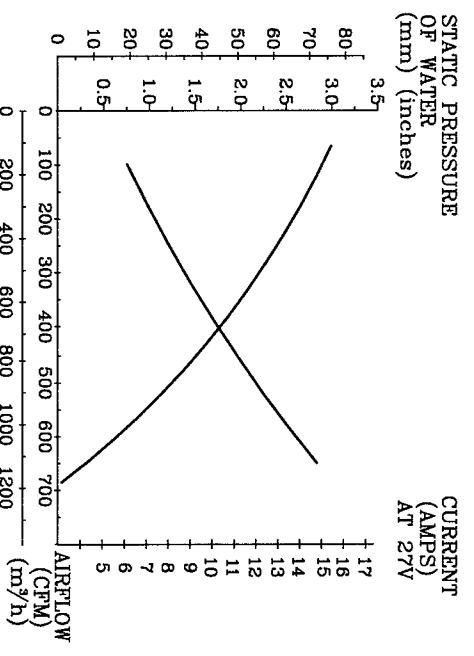
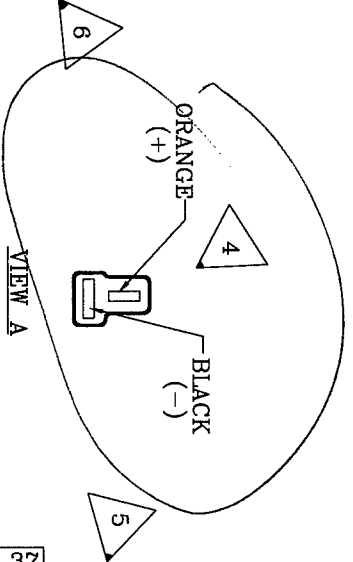
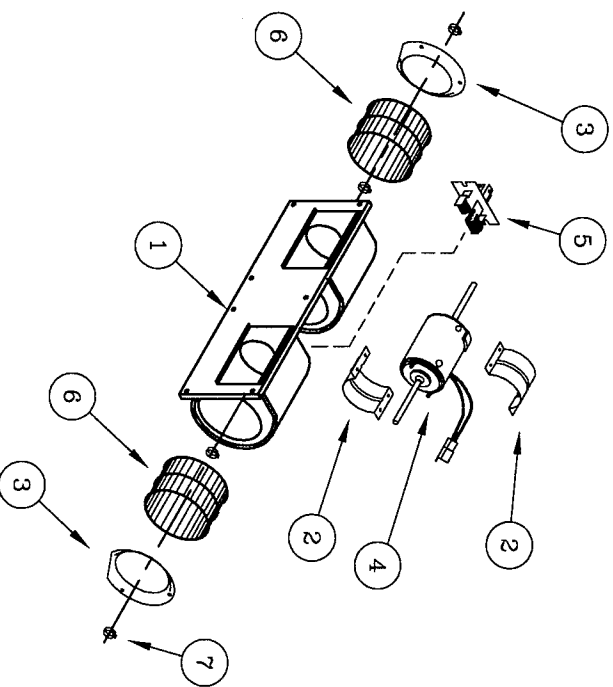
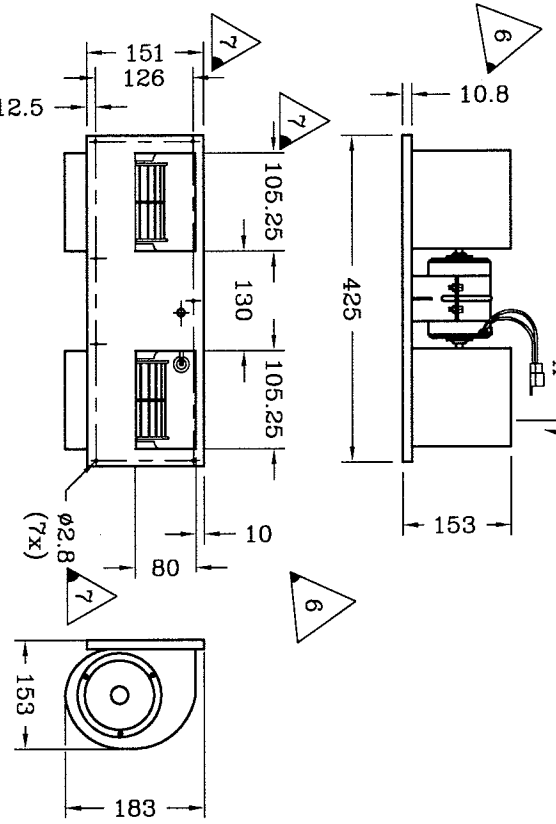


DETAIL OF RESISTOR

CONNECTOR PACKARD #2984883(MCC#31-1021) WITH MALE TERMINAL #2971962-1(2x)(MCC#31-1019)



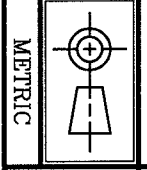
BLOWER HOUSING MADE OF COLD ROLLED STEEL FINISHED IN BLACK SEMI-GLOSS POWDER COAT.  
 BLOWER WHEELS MADE OF ABS PLASTIC  
 MOTOR HAS BALL BEARINGS AND LONG LIFE BRUSHES.  
 BLOWER HAS RESISTOR FOR 3 SPEED OPERATIONS.

TERMINAL PATTERN ON THE RESISTOR FITS PACKARD 3-WAY CONNECTOR #2984378

RESISTANCE VALUES:  
 50 AND UP ± 10%  
 50 AND UNDER ± 15%

SYM	PCS	PART NO.	DESCRIPTION
7	4	25-0022	CLIP
6	2	25-0047	BLOWER WHEEL
5	1	25-0139	RESISTOR 24V
4	1	25-0270	MOTOR 24V
3	2	25-0164	VENTURI
2	2	24-0234	MOTOR MOUNT
1	1	25-0159	BLOWER HOUSING

REV	DESCRIPTION	DATE	BY	CP
7	REVISED PER ECN #3860	SEP 08/03	CP	
6	REVISED PER ECN #3456	NOV 12/02	BT	
5	REVISED PER DCR #1028	JAN 30/98	DP	
4	REVISED PER DCR #0928	SEP 24/97	DP	



CHECK BY: *WU* DATE: 9/4/03  
 Mobile Climate Control Inc.  
 North York - Ontario - Canada

15-2024  
 BLOWER 24V  
 SCALE: NTS  
 DATE: OCT 26, 1993  
 DWG: P3-1718  
 REV: 7

THIS PRINT IS PROVIDED ON A RESTRICTED BASIS AND IS NOT TO BE USED IN ANY WAY DETRIMENTAL TO THE INTEREST OF MOBILE CLIMATE CONTROL INC.