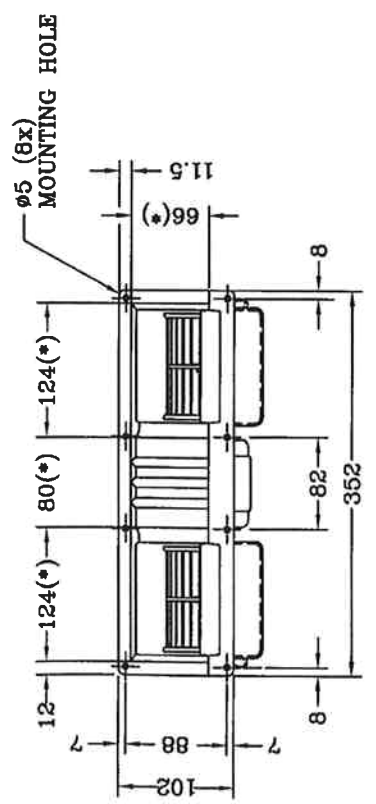
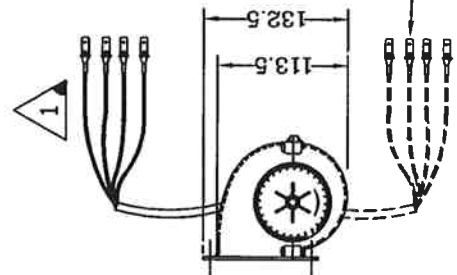
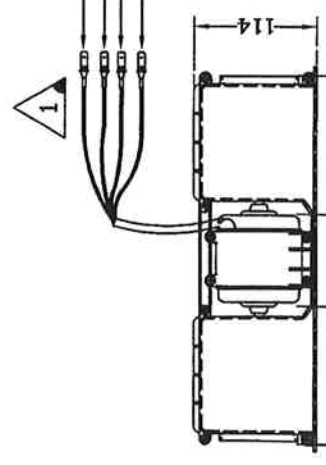


SEE NOTE 3

ORANGE-HIGH
RED-MED
YELLOW-LOW
BLACK-GND



NOTE:

BLOWER HOUSING ARE MADE OF BLACK ABS.
WHEELS ARE MADE OF CLEAR POLYCARBONATE.
3 SPEED MOTOR (WIRE WOUND).
WEIGHT - 1.8KG
(*) AIR OUTLET OPENING
WIRING LOCATION OF THE BLOWER FOR UNIT 13-0121 SHOULD BE PLACED ON THE BOTTOM.

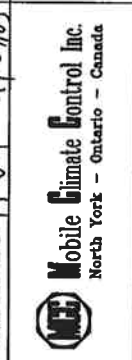
ALL WIRES: 16GA GPT (60°)
300 mm LONG
TERMINALS: 4x .25 TAB TERMINAL
AMP# 42460-2
WIRE TOLERANCE ±5mm

SYM	PCS	PART NO.	DESCRIPTION
4	2	25-0022	CLIP
3	1	25-0070	MOTOR 12V
2	2	25-0021	BLOWER WHEEL
1	1	25-0017	BLOWER HOUSING

SCALE:	NTS	BY:	TM
DATE:	AUG 27, 1996		
DWG:	P3-1644		
REV:	2		

CHECK BY: *PS* DATE: *1/27/05*

15-0503
BLOWER 12V



REVISED AS PER ECN #3767	JULY 9, 03	MS	TOLERANCE UNLESS OTHERWISE SPECIFIED							
REVISION <td>DATE <td>BY <td>ANG.</td> <td>FR</td> <td>MM</td> <td>MM</td> <td>MM</td> <td>MM</td> <td>MM</td> <td>OVER</td> </td></td>	DATE <td>BY <td>ANG.</td> <td>FR</td> <td>MM</td> <td>MM</td> <td>MM</td> <td>MM</td> <td>MM</td> <td>OVER</td> </td>	BY <td>ANG.</td> <td>FR</td> <td>MM</td> <td>MM</td> <td>MM</td> <td>MM</td> <td>MM</td> <td>OVER</td>	ANG.	FR	MM	MM	MM	MM	MM	OVER
1	AUG 31, 98	JAP	±1°	±0.15	±0.2	±0.5	±0.8	±1.2	±2	±4
2			THIS PRINT IS PROVIDED ON A RESTRICTED BASIS AND IS NOT TO BE USED IN ANY WAY DETRIMENTAL TO THE INTEREST OF MOBILE CLIMATE CONTROL INC.							