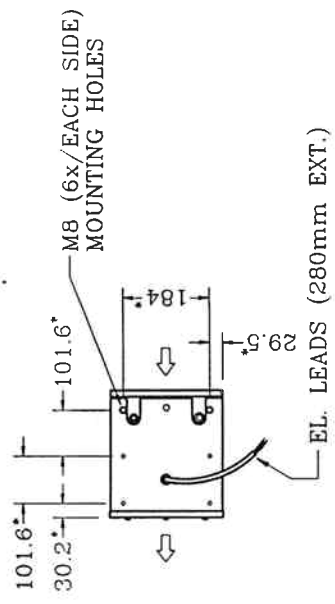
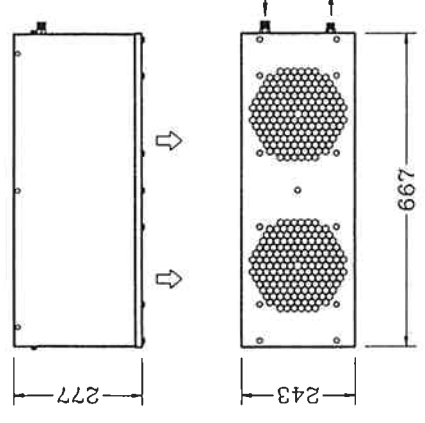
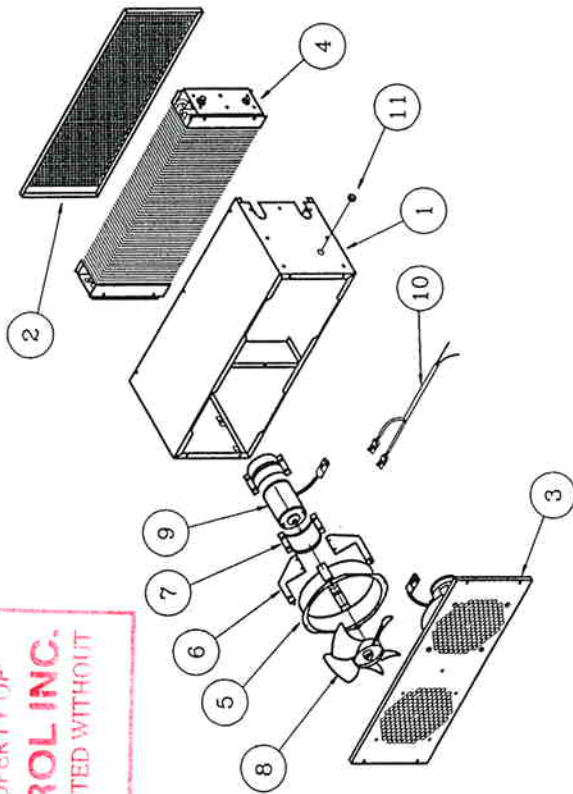


THIS DRAWING/DESIGN IS STRICTLY CONFIDENTIAL & THE
 COPYRIGHT THEREIN THE EXCLUSIVE PROPERTY OF
MOBILE CLIMATE CONTROL INC.
 AND MAY NOT BE USED OR COPIED OR EXHIBITED WITHOUT
 THEIR WRITTEN PERMISSION.



SPECIFICATIONS:
 CAPACITY - TO SUPPORT A COOLING CAPACITY OF 28000 BTU/H (79 FWB)
 AIR FLOW -1100 CFM
 CURRENT -7 AMPS (AT 27V)
 WEIGHT -20 KG
 CASING MADE OF 16GA CRS FINISHED IN BLACK SEMI-GLOSS POWDER COAT.
 INLET - 3/4" -16 UNF MALE (#8 O-RING)
 OUTLET 5/8" -18 UNF MALE (#6 O-RING)
 COIL IS REVERSIBLE FOR LEFT HAND CONN. (RIGHT HAND SHOWN)
 *) DIMENSIONS FOR MOUNTING HOLES.

SYM	PCS	PART NO.	DESCRIPTION
11	1	28-0045	GROMMET
10	1	25-0635	WIRING HARNESS
9	2	25-0490	MOTOR 24V
8	2	25-0181	FAN
7	4	24-0234	MOUNT
6	4	25-0434	MOTOR SUPPORT
5	2	25-0388	VENTURI ASSY.
4	1	21-0309	CONDENSER COIL
3	1	24-1968	COVER
2	1	24-1966	GRILL
1	1	24-1967	CASING

CHECK BY: <i>[Signature]</i>		DATE: 12/24/97
SCALE: NTS		BY: GR
DESCRIPTION: 14-0902 CONDENSER 24V		DATE: OCT 15, 1996
		DWG: P3-4166
		REV: 1

REVISED PER	DESCRIPTION	DATE	BY
1	REVISED PER DCR # 0946	FEB.24/97	MD

REVISED PER	DESCRIPTION	DATE	BY
1	REVISED PER DCR # 0946	FEB.24/97	MD

TOLERANCE UNLESS OTHERWISE SPECIFIED			
ANG.	0.5	3	6
	30	120	315
	1000	2000	OVER
±1'	±0.15	±0.2	±0.5
	±0.8	±1.2	±2
	±3	±4	±4

THIS PRINT IS PROVIDED ON A RESTRICTED BASIS AND IS NOT TO BE USED IN ANY WAY DETRIMENTAL TO THE INTEREST OF MOBILE CLIMATE CONTROL INC.			
METRIC			

Mobile Climate Control Inc.
 Concord - Ontario - Canada