

SPECIFICATIONS:

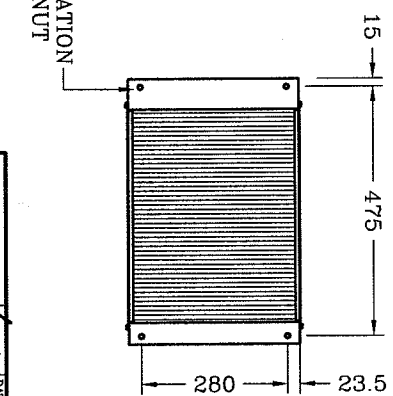
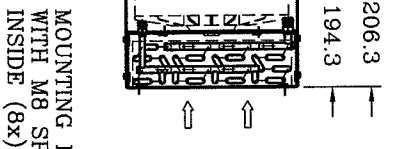
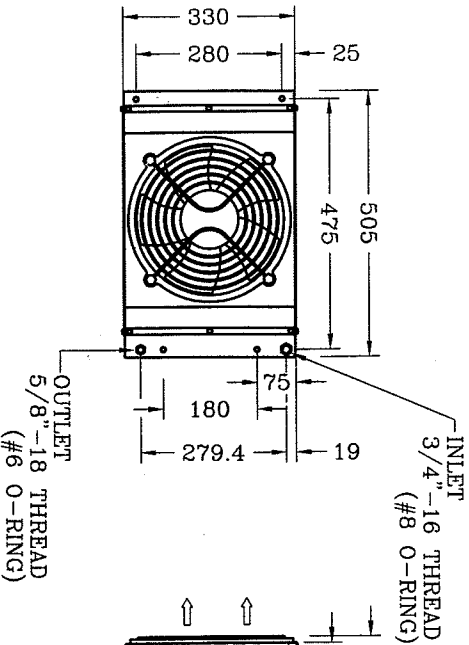
CAPACITY - 25300 BTU/HR (7.4 KW)
 AIRFLOW - 850 CFM (1440 m³/h)
 CURRENT - 17.6 AMPS
 WEIGHT - 13 KG

NOTE:

CASING MADE OF 16GA SATIN COAT STEEL,
 ENDPATES MADE OF 14GA SATIN COAT STEEL
 AND BOTH FINISHED IN BLACK SEMI GLOSS
 EPOXY POWDER COAT.

ELECTRICAL CONNECTIONS:

2-WAY MALE WEATHER PACK CONNECTOR,
 PACKARD #12010973 (MCC #31-1068)
 WITH MALE TERMINAL #12124582-L (2x)
 (MCC #31-1039) AND SEAL #12010293
 (2x) (MCC #31-1024)



INLET
 3/4"-16 THREAD
 (#8 O-RING)

OUTLET
 5/8"-18 THREAD
 (#6 O-RING)

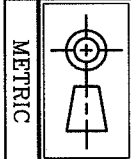
MOUNTING LOCATION
 WITH M8 SPOTNUT
 INSIDE (8x)

5	1	28-0014	GROMMET
4	1	23-0148	FINGER GUARD
3E	1	29-0197	"C" CLIP
3D	3	29-0166	#10-32 HEX. SOCKET CTR. SUNK
3C	1	25-0591	MOTOR 12V
3B	1	25-0579	FAN
3A	1	25-0577	VENTURI
3	1	15-7501	FAN ASSY. 12V
2	1	21-0365	CONDENSER COIL
1	1	24-2250	CASING

CHECK BY: *CM* DATE: *4/9/02*

SCALE: NTS BY: CM
 DATE: JAN 7, 1997
 DWG: P3-4036 REV: 3

3	REVISED PER ECN #3198	MAR 20/02	ZU	ANG	9.6	3	36	120	120	31.6	1000	OVER
2	REVISED PER ECN #3108	JAN 23/02	DB	4.1	10.2	4.0	5.1	4.0	4.1	4.2	4.4	4.4
1	RELEASED FOR PROD.	FEB 26/97	GR	40.15	40.2	40.5	40.8	41.2	42	43	44	44
SYM	DESCRIPTION	DATE	BY	TOLERANCE UNLESS OTHERWISE SPECIFIED								
	REVISION			THIS PRINT IS PROVIDED ON A RESTRICTED BASIS AND IS NOT TO BE USED IN ANY WAY DEPENDANTAL TO THE INTEREST OF MOBILE CLIMATE CONTROL, INC.								



METRIC

MCC Mobile Climate Control Inc.
 North York - Ontario - Canada

14-0501
 CONDENSER 12V