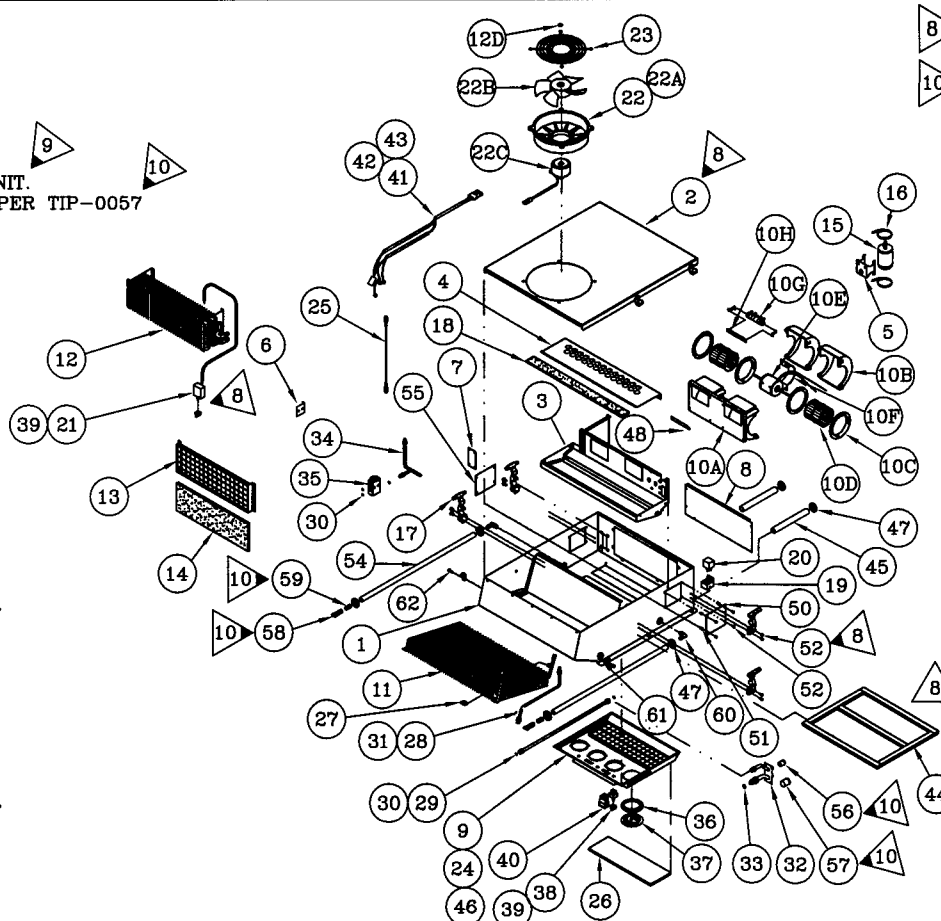
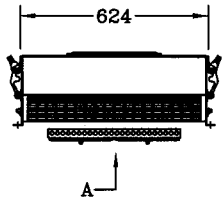
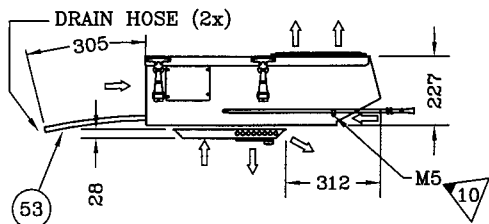
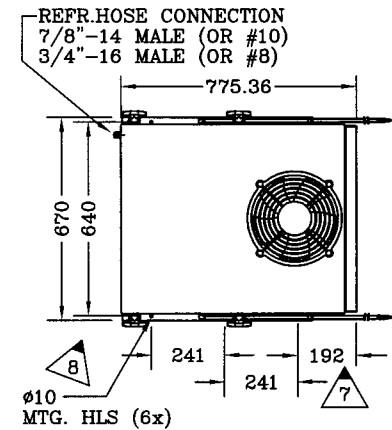
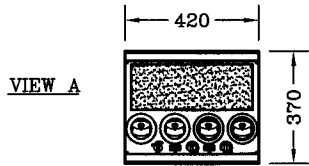


ELECTRICAL CONNECTION:

ORANGE - POWER
 BLACK - GROUND
 WHITE - TO COMPRESSOR SWITCH

WIRES LENGTH 914mm OUTSIDE UNIT.

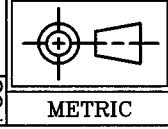
NOTE:
 1.PACK 4 BOLTS 29-1074 BESIDE THE UNIT.
 2.UNIT TO BE CHARGED WITH NITROGEN PER TIP-0057 FOR GROUND SHIPPING ONLY.



62	2	29-0883	M5x20 YELLOW CHROMATE TAPITTE
61	2	28-0339	5/8 NYLON CABLE CLAMP
60	2	27-1511	PLASTIC ELBOW 1/4" 90°
59	2	27-0422	DRAIN CONNECTOR 1/2"
58	2	27-0421	DRAIN VALVE
57	1	28-0286	CHARGE CAP 7/8"-14 #10 Fe
56	1	28-0285	CHARGE CAP 3/4"-16 #8 Fe
55	1	24-8127	SERVICE COVER ASSY.
54	2	27-0030	DRAIN HOSE L=1524 mm
53	2	27-0030	DRAIN HOSE L=305mm
52	16	29-0449	SCREW HX. HD. M5x10

51	8	29-0252	RIVNUT M5
50	1	24-6915	SERVICE COVER ASSY
49	1	28-0752	MOUNT TEMPLATE (NOT SHOWN)
48	1	24-2435	BLOWER BRACKET
47	10	27-0091	DRAIN HOSE CLAMP 1/2"
46	1	28-0248	OVERLAY
45	2	27-0030	DRAIN HOSE 190 mm
44	1	28-0225	GASKET
43	1	25-0688	FUSE 30A/12V (FAN)
42	1	25-0689	FUSE 40A/12V (BLOWER)
41	1	25-0693	WIRING HARNESS
40	1	25-1105	ROCKER SWITCH (G) 12V
39	2	25-0435	KNOB
38	1	25-0044	BLOWER SWITCH
37	4	23-0005	LOUVER
36	4	23-0048	ADAPTER
35	1	28-0190	BLOCK VALVE
34	1	34-0364	COPPER TUBE 3/8"
33	1	27-0603	O-RING #10
32	1	34-0261	COPPER TUBE ASSY.
31	4	27-0601	O-RING #6
30	4	27-0602	O-RING #8
29	1	34-0398	COPPER TUBE 1/2"
28	1	34-0397	COPPER TUBE 3/8"
27	1	25-0343	PRESSURE SWITCH
26	1	28-0244	AIR FILTER
25	1	29-0235	CABLE ASSY.
24	1	28-0161	EPDM SEAL (10.0 mm)
23	1	23-0148	FINGER GUARD
22D	1	29-0167	"C" CLIP
22C	1	25-0591	MOTOR 12V
22B	1	25-0579	FAN
22A	1	25-0577	VENTURI
22	1	15-7501	FAN ASSY. 12V
21	1	25-0118	THERMOSTAT
20	1	25-0251	RELAY 12V
19	1	25-0221	SOCKET RELAY
18	1	28-0242	FOAM
17	4	29-1078	DRAW LATCH ASSY.
16	2	27-1211	GEAR CLAMP 3"
15	1	26-0018	RECEIVER DRIER
14	1	28-0243	RETICULATED FOAM
13	1	24-2433	FILTER SUPPORT
12	1	21-0339	EVAPORATOR COIL
11	1	21-0341	CONDENSER COIL
10H	1	29-0130	RESISTOR BRACKET
10G	1	25-0601	RESISTOR 12V
10F	1	25-0130	MOTOR MOUNT
10E	1	25-0655	MOTOR 12V
10D	2	25-0200	BLOWER WHEEL
10C	2	25-0060	VENTURI
10B	2	25-0348	HOUSING TOP
10A	1	25-0048	BLOWER HOUSING
10	1	15-1561	BLOWER 12V
9	1	24-2430	AIR PLENUM
8	1	24-2228	COVER PLATE
7	1	24-2505	PLATE
6	1	24-2428	BRACKET
5	1	24-2429	R.D. BRACKET
4	1	24-2270	COIL SUPPORT
3	1	24-2221	DRAIN PANE ASSY
2	1	24-2208	COVER ASSY.
1	1	24-2219	CASING ASSY.

CHECK BY: *W* DATE: *9/9/05*



MCC Mobile Climate Control Inc.
 Toronto - Ontario - Canada

SYM PCS PART NO.		DESCRIPTION	
13-6023		AIR CONDITIONER 12V	
SCALE:	NTS	BY:	DP
DATE:	APR 22, 1997		
DWG:	P3-5021	REV:	10

10	REVISED PER ECN #4411	FEB 28/05	BV
9	REVISED PER ECN #4048	JAN.26/04	OP
8	REVISED PER ECN #3628	SEP.03/03	BV
7	REVISED PER ECN# 3320	JUL 03/02	OP
SYM	DESCRIPTION	DATE	BY
REVISION			

THIS PRINT IS PROVIDED ON A RESTRICTED BASIS AND IS NOT TO BE USED IN ANY WAY DETRIMENTAL TO THE INTEREST OF MOBILE CLIMATE CONTROL INC.