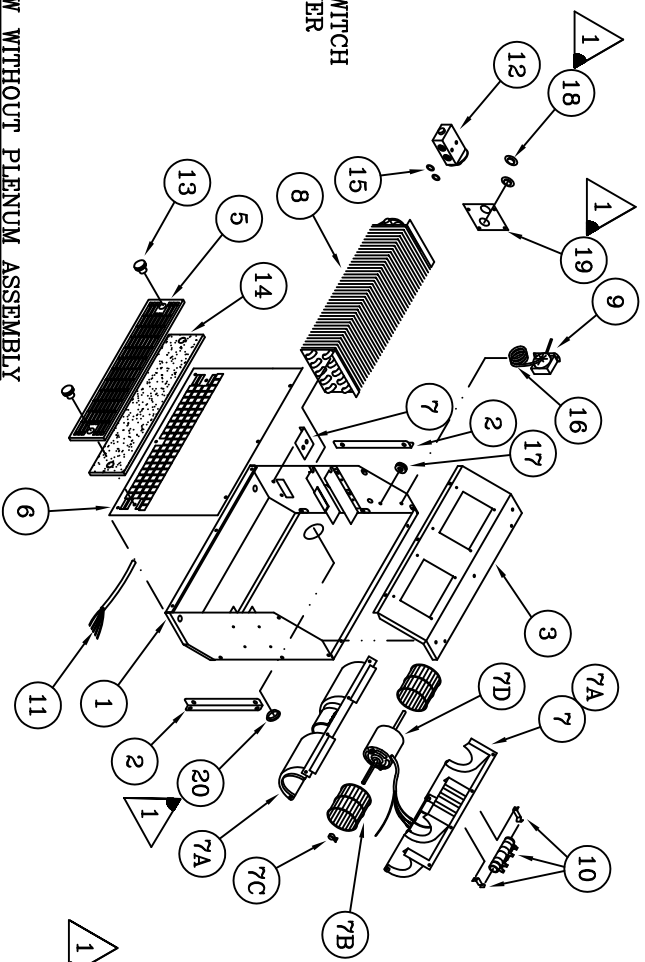
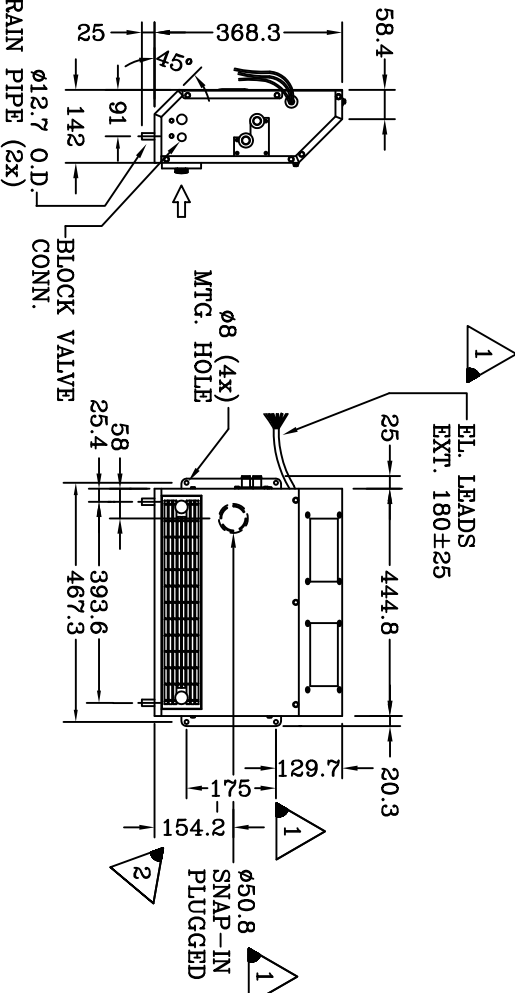


- EL. CONNECTION**
- ORANGE — HIGH SPEED
 - RED — MEDIUM SPEED
 - YELLOW — LOW SPEED
 - BLACK — GROUND
 - WHITE — FROM AC ON-OFF SWITCH
 - WHITE — TO COMPRESSOR (OVER H/L SWITCH)



VIEW WITHOUT PLENUM ASSEMBLY



SPECIFICATIONS:

- HEATING — 7480 W (25500 BTU/H)
- COOLING — 5800 W (19275 BTU/H)
- AIRFLOW — 510 m³/h (300 CFM)
- CURRENT — 12 AMPS (AT 13.5V)
- WEIGHT — 12.4 KG (27.3 LBS)

MADE OF 18GA (1.25mm) CRS AND FINISHED IN BLACK SEMI-GLOSS EPOXY POWDER COAT.

20	1	28-0410	2" SNAP-IN PLUG
19	1	24-2166	COVER PLATE
18	2	28-0010	7/8" SNAP-IN PLUG
17	1	28-0045	GROMMET
16	1	28-0031	PVC HOSE
15	2	27-0602	O-RING
14	1	26-0399	AIR FILTER
13	2	26-0263	KNURLED KNOB
12	1	25-0190	BLOCK VALVE
11	1	25-0664	WIRING HARNESS
10	1	26-0601	RESISTOR 12V
9	1	25-0069	THERMOSTAT
8	1	21-0364	EVAPORATOR COIL
7D	1	25-0228	MOTOR 12V
7C	1	25-0022	CLIP
7B	2	25-0021	BLOWER WHEEL
7A	1	25-0017	BLOWER HOUSING
7	1	15-0551	BLOWER 12V
6	1	24-2211	EXP. VALVE BKT.
5	1	24-2168	FRONT COVER
4	1	24-2167	GRILL
3	1	24-2126	BLOWER PLATE
2	1	24-2125	MOUNTING BRACKET
1	1	24-2124	CASING

2	REVISED PER DCR #1484	FEB 18/99	DP
1	REVISED PER DCR #1262	AUG 20/98	CP
SYM	DESCRIPTION	DATE	BY
1	REVISION		

THIS PRINT IS PROVIDED ON A RESTRICTED BASIS AND IS NOT TO BE USED IN ANY WAY DEFERENTIAL TO THE INTEREST OF MOBILE CLIMATE CONTROL INC.

CHECK BY: W.S. DATE: 03-09-99

SCALE: N.T.S. BY: DP

DATE: MAR 24, 1997

DWG: P3-4859 REV: 2

13-1023 AIR CONDITIONER 12V

METRIC