

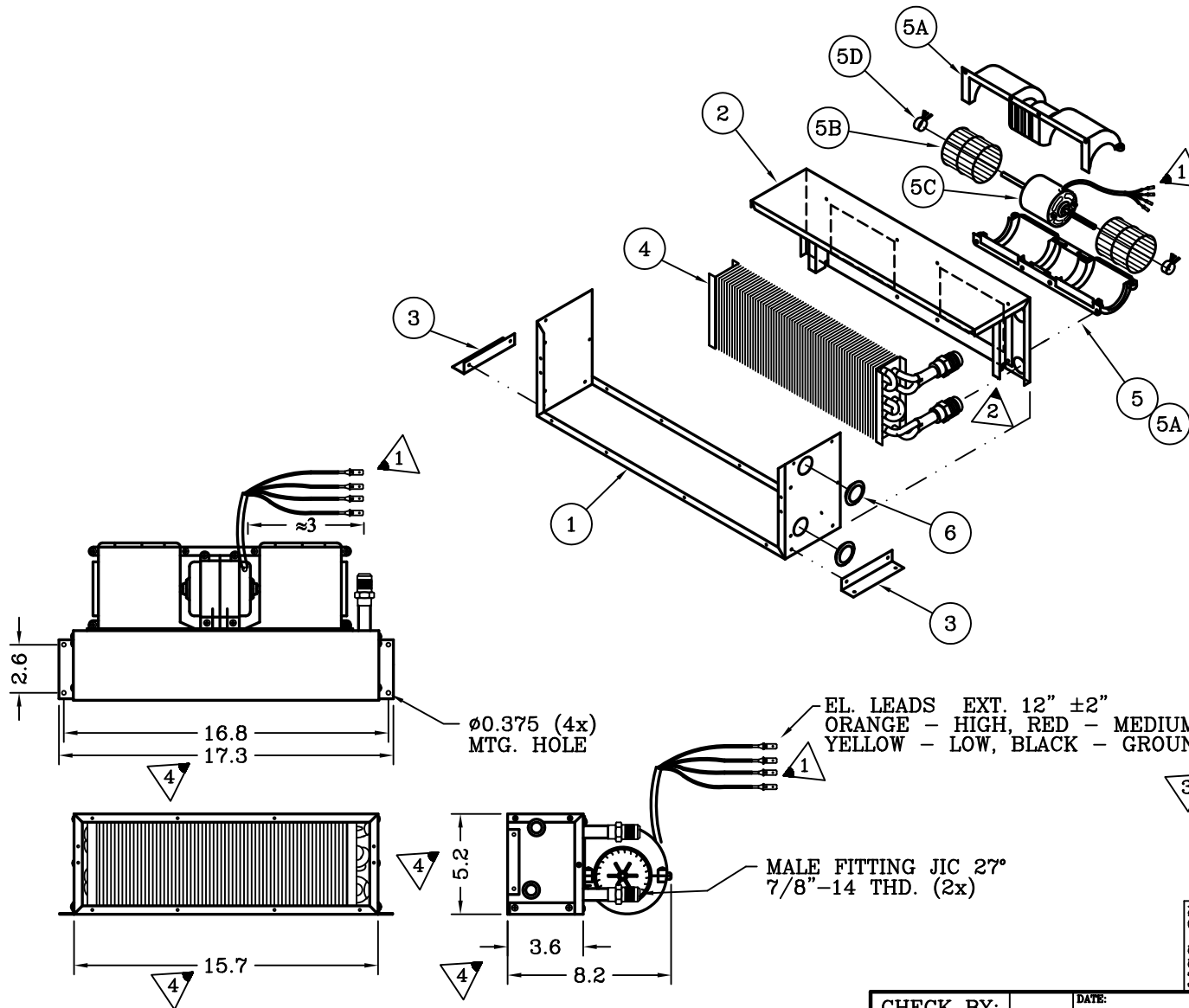
SPECIFICATIONS

HEATING -14500 BTU/H (AT 150°F T.D.)
 AIR FLOW -295 CFM
 CURRENT -12 AMPS (AT 12V)
 WEIGHT -9 LBS.

1 3-SPEED MOTOR

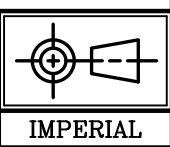
NOTE:

CASING MADE OF 18GA. CRS. AND FINISHED IN BLACK SEMI-GLOSS EPOXY POWDER COAT.



MCC 37	6	2	28-0013	SNAP IN PLUG
	5D	2	25-0022	CLIP
	5C	1	25-0070	MOTOR 12V
	5B	2	25-0021	BLOWER WHEEL
	5A	1	25-0017	BLOWER HOUSING
	5	1	15-0503	BLOWER 12V
	4	1	22-0282	HEATER COIL
	3	2	24-0012	BRACKET
	2	1	24-0008	COVER
	1	1	24-0009	CASING

REVISION	DESCRIPTION	DATE	BY
4	REVISED AS PER ECN 4527	AUG 11/05	IK
3	REVISED AS PER ECN 3875	AUG 12/03	IK
2	REVISED AS PER ECN 3538	JAN 28/03	OP
1	REVISED AS PER DCR 1282	SEP 01/98	JAP



CHECK BY: _____ DATE: _____

MCC Mobile Climate Control Inc.
 Toronto - Ontario - Canada

12-0253
HEATER 12V (OIL)

SCALE: NTS	BY: CP
DATE: APR 23, 1997	
DWG: P3-5025	REV: 4

TOLERANCE UNLESS OTHERWISE SPECIFIED

ANG.	0.5	3	6	30	120	318	1000	2000	OVER 2000
±1°	±0.15	±0.2	±0.5	±0.8	±1.2	±2	±3	±4	

THIS PRINT IS PROVIDED ON A RESTRICTED BASIS AND IS NOT TO BE USED IN ANY WAY DETRIMENTAL TO THE INTEREST OF MOBILE CLIMATE CONTROL INC.