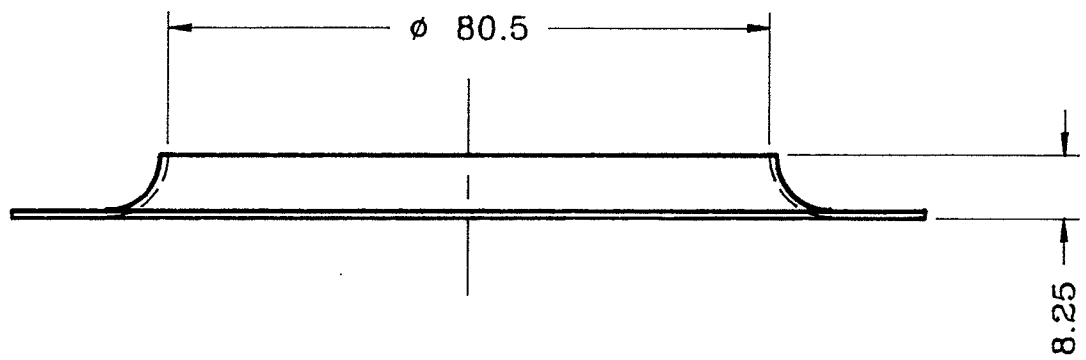


THIS DRAWING/DESIGN IS STRICTLY CONFIDENTIAL & THE
 COPYRIGHT THEREIN THE EXCLUSIVE PROPERTY OF
MOBILE CLIMATE CONTROL INC.
 AND MAY NOT BE USED OR COPIED OR EXHIBITED WITHOUT
 THEIR WRITTEN PERMISSION

∅ 4.4 (3x) ON
 115.5 B.C.D.



NOTE: MAT'L 24-0720 ALUM. (0.04" THICK)



Mobile Climate Control Inc.
 30 Rittin Lane - Concord - Ontario - L4K 4C5 - Canada
 Telephone (416) 738-0820 - Fax (416) 738-1296

25-0296
 VENTURI (R)

SCALE:	NTS
DATE:	MAR 09/93
DWG:	P4-1476