

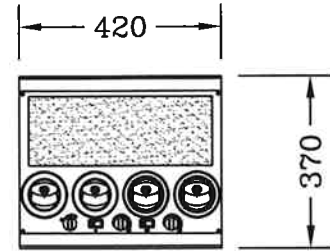
ELECTRICAL CONNECTION:

ORANGE - POWER
 BLACK - GROUND
 WHITE - TO COMPRESSOR SWITCH
 CURRENT - LOW SPEED 4 AMPS @27.2V
 - MED SPEED 7 AMPS @27.2V
 - HIGH SPEED 10 AMPS @27.2V

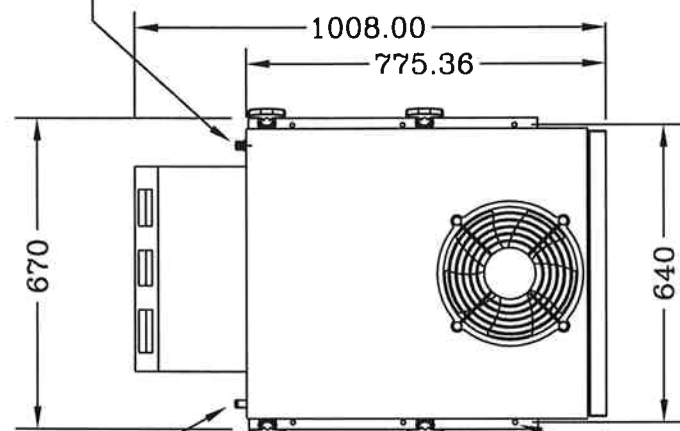
WIRES LENGTH 914mm OUTSIDE UNIT.

NOTE:
 PACK 4 BOLTS 29-1074 BESIDE THE UNIT.

VIEW A



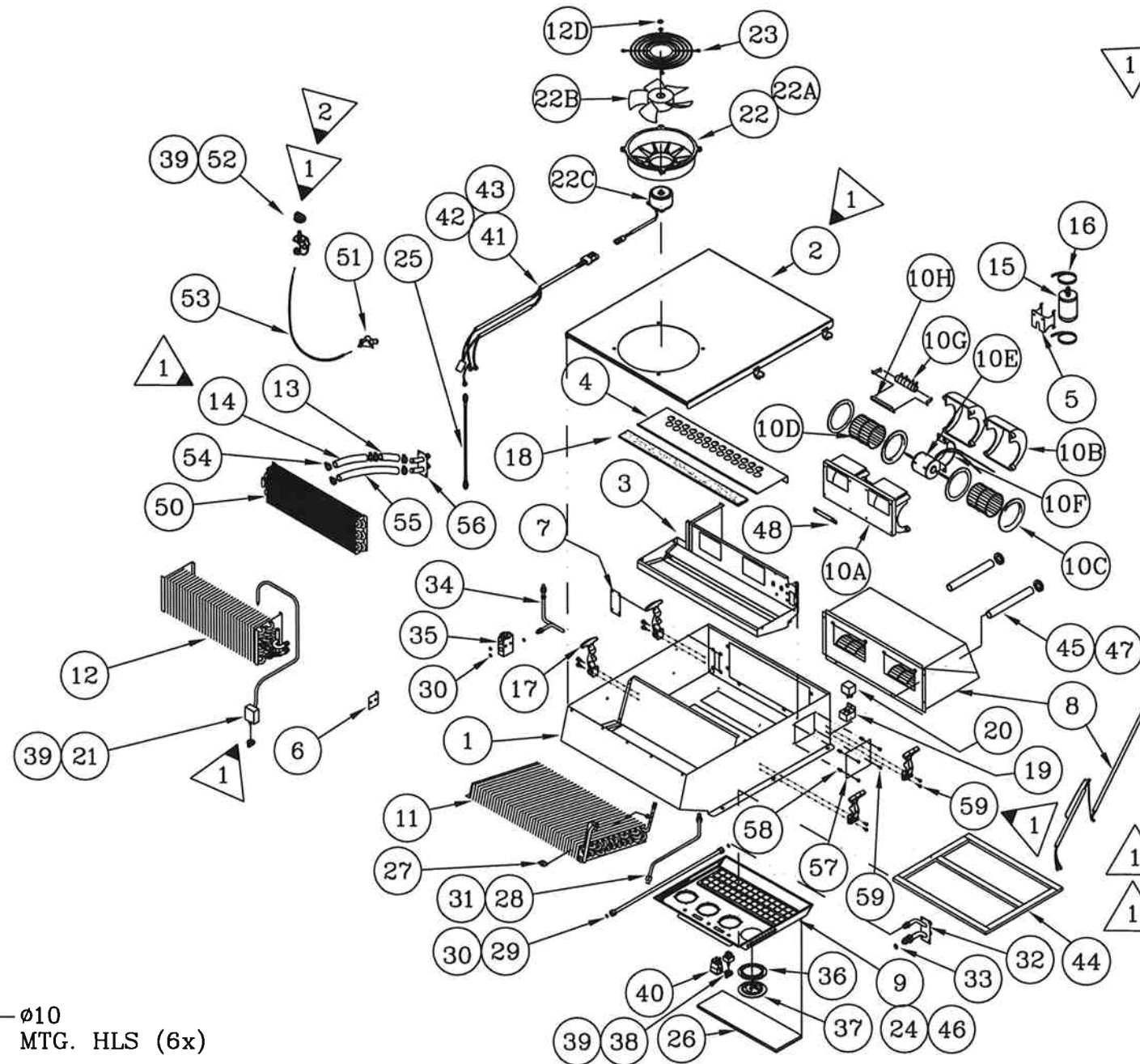
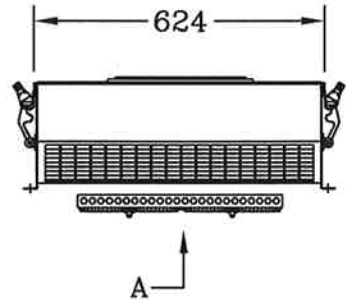
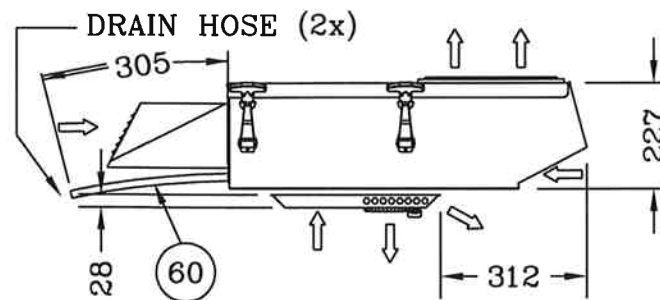
REFR. HOSE CONNECTION
 7/8"-14 MALE (OR #10)
 3/4"-16 MALE (OR #8)



HEATER HOSE CONNECTION
 5/8 (16) (2x)

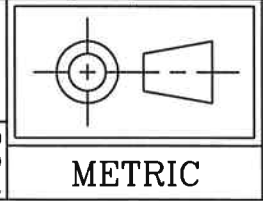
HEATER HOSE CONNECTION
 5/8 (16) (2x)

ø10
 MTG. HLS (6x)



48	1	24-2435	BLOWER BRACKET
47	6	27-0091	DRAIN HOSE CLAMP 1/2"
46	1	28-0910	OVERLAY
45	2	27-0030	DRAIN HOSE
44	1	28-0225	GASKET
43	1	25-0685	FUSE 15A/24V (FAN)
42	1	25-0686	FUSE 20A/24V (BLOWER)
41	1	25-0693	WIRING HARNESS
40	1	25-1106	ROCKER SWITCH (G) 24V
39	3	25-0435	KNOB
38	1	25-0044	BLOWER SWITCH
37	4	23-0005	LOUVER
36	4	23-0048	ADAPTER
35	1	26-0190	BLOCK VALVE
34	1	34-0364	COPPER TUBE 3/8"
33	1	27-0603	O-RING #10
32	1	34-0261	COPPER TUBE ASSY.
31	4	27-0601	O-RING #6
30	4	27-0602	O-RING #8
29	1	34-0398	COPPER TUBE 1/2"
28	1	34-0397	COPPER TUBE 3/8"
27	1	25-0343	PRESSURE SWITCH
26	1	28-0244	AIR FILTER
25	1	29-0235	CABLE ASSY.
24	1	28-0161	EPDM SEAL (10.0 mm)
23	1	23-0148	FINGER GUARD
22D	1	29-0167	"C" CLIP
22C	1	25-0592	MOTOR 24V
22B	1	25-0579	FAN
22A	1	25-0577	VENTURI
22	1	15-7502	FAN ASSY. 24V
21	1	25-0118	THERMOSTAT
20	1	25-0219	RELAY 24V
19	1	25-0221	SOCKET RELAY
18	1	28-0242	FOAM
17	4	29-1076	DRAW LATCH ASSY.
16	2	27-1211	GEAR CLAMP 3"
15	1	26-0018	RECEIVER DRIER
14	1	27-0225	HEATER HOSE 5/8"; L= 155 mm
13	1	27-0225	HEATER HOSE 5/8"; L= 115 mm
12	1	21-0339	EVAPORATOR COIL
11	1	21-0341	CONDENSER COIL
10H	1	29-0130	RESISTOR BRACKET
10G	1	25-0602	RESISTOR 24V
10F	1	25-0130	MOTOR MOUNT
10E	1	25-0660	MOTOR 24V
10D	2	25-0200	BLOWER WHEEL
10C	2	25-0060	VENTURI
10B	2	25-0348	HOUSING TOP
10A	1	25-0048	BLOWER HOUSING
10	1	15-1562	BLOWER 24V
9	1	24-2430	AIR PLENUM
8	1	16-0304	FILTER KIT 24V
7	1	24-2505	PLATE
6	1	24-2428	BRACKET
5	1	24-2429	R.D. BRACKET
4	1	24-2270	COIL SUPPORT
3	1	24-2221	DRAIN PANE ASSY
2	1	24-2208	COVER ASSY.
1	1	24-2219	CASING ASSY.
60	2	27-0030	DRAIN HOSE 1/2"; L= 305 mm
59	12	29-0449	SCREW HX. HD. M5x10
58	4	29-0252	RIVNUT M5
57	1	24-6915	SERVICE COVER
56	1	34-0267	COPPER TUBE ASSY 5/8"
55	1	27-0225	HEATER HOSE 5/8"; L= 275 mm
54	6	27-0059	GEAR CLAMP 5/8"
53	1	26-0441	BOWDEN CABLE
52	1	26-0350	ROTARY CONTROL
51	1	26-0074	HEATER CONTROL VALVE
50	1	22-0301	HEATER COIL
49	1	28-0752	MOUNT. TEMPLATE (NOT SHOWN)

CHECK BY:		DATE:		SYM	PCS	PART NO.	DESCRIPTION	SYM	PCS	PART NO.	DESCRIPTION
2	REVISED PER ECN #4035	JAN 21/04	BV								
1	REVISED PER ECN #3628	SEP. 03/03	BV								
SYM	DESCRIPTION	DATE	BY								
REVISION											



MCC Mobile Climate Control Inc.
 Toronto - Ontario - Canada

13-6034
 HEATER-A/C 24V

SCALE: NTS BY: OP
 DATE: SEPT. 11, 2002
 DWG: P3-14566 REV: 2

THIS PRINT IS PROVIDED ON A RESTRICTED BASIS AND IS NOT TO BE USED IN ANY WAY DETRIMENTAL TO THE INTEREST OF MOBILE CLIMATE CONTROL INC.