

THIS DRAWING/DESIGN IS STRICTLY CONFIDENTIAL & THE
 COPYRIGHT THEREIN THE EXCLUSIVE PROPERTY OF
MOBILE CLIMATE CONTROL INC.
 AND MAY NOT BE USED OR COPIED OR EXHIBITED WITHOUT
 THEIR WRITTEN PERMISSION.

SPECIFICATIONS

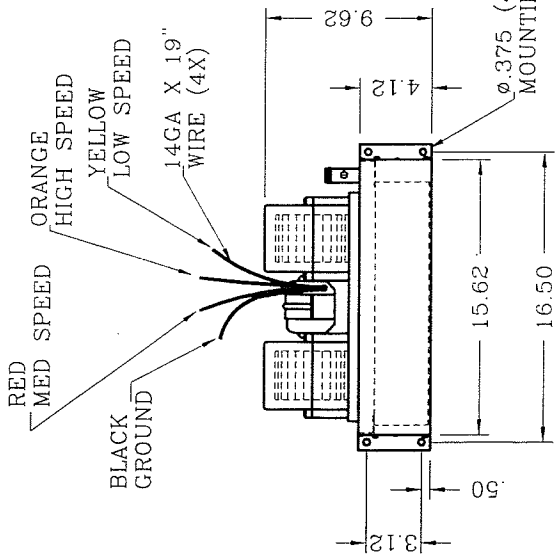
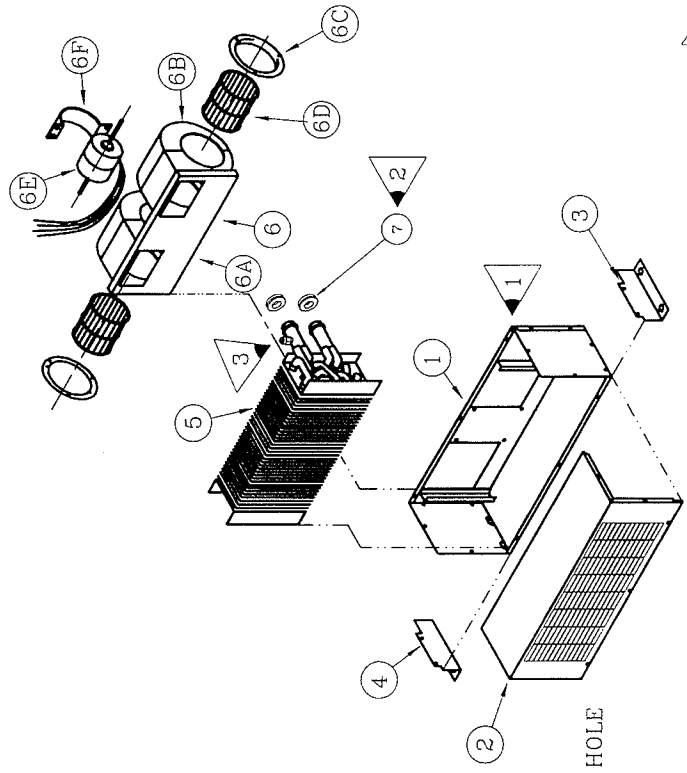
- HEATING - 36000 Btu/h
- AIRFLOW - 400 CFM
- CURRENT - HIGH SPEED 16 AMPS.
- MEDIUM SPEED 8 AMPS.
- LOW SPEED 4 AMPS.
- WEIGHT - 12 Lbs

3-SPEED MOTOR

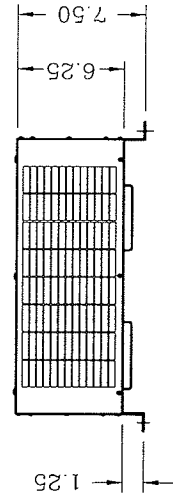
MADE FROM 18 GA. CRS. AND FINISHED
 IN BLACK SEMI-GLOSS EPOXY POWDER COAT.
 HEATER HOSE CONNECTION 5/8 O.D.
 COPPER TUBE WITH BEAD

CUSTOMER

GROVE NORTH AMERICA
 PART No. 7-515-000875



5/8 O.D. WITH BEAD (2X)
 HEATER HOSE CONNECTION

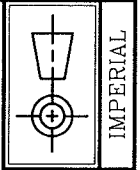


7	2	28-0008	GROMMET
6F	1	25-0271	MOTOR MOUNT
6E	1	25-0053	MOTOR 12V
6D	2	25-0200	BLOWER WHEEL
6C	4	25-0060	VENTURI
6B	2	25-0348	HOUSING TOP
6A	1	25-0048	BLOWER HOUSING
6	1	15-1513	BLOWER ASSY. 12V
5	1	22-0090	HEATER COIL
4	1	24-1058	MOUNTING BRACKET (L)
3	1	24-1057	MOUNTING BRACKET (R)
2	1	24-0056	COVER
1	1	24-0055	CASING

SYM	PCS	PART NO.	DESCRIPTION
12-1213			HEATER 12V

CHECK BY: *W* DATE: 2/4/02

MCC Mobile Climate Control Inc.
 North York - Ontario - Canada



3	REVISED PER ECN #3149	FEB 04/02	BV
2	REVISED PER ECN #3017	NOV 01/01	BV
1	REVISED PER DCR #2788	JUL 03/01	BV
SYM	DESCRIPTION	DATE	BY
	REVISION		

SCALE: NTS 8x DP
 DATE: MAY 28, 1997
 DWG: P3-5180 REV: 3