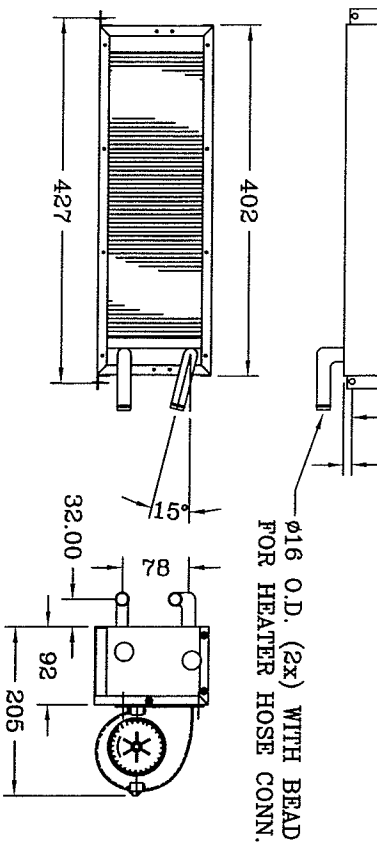
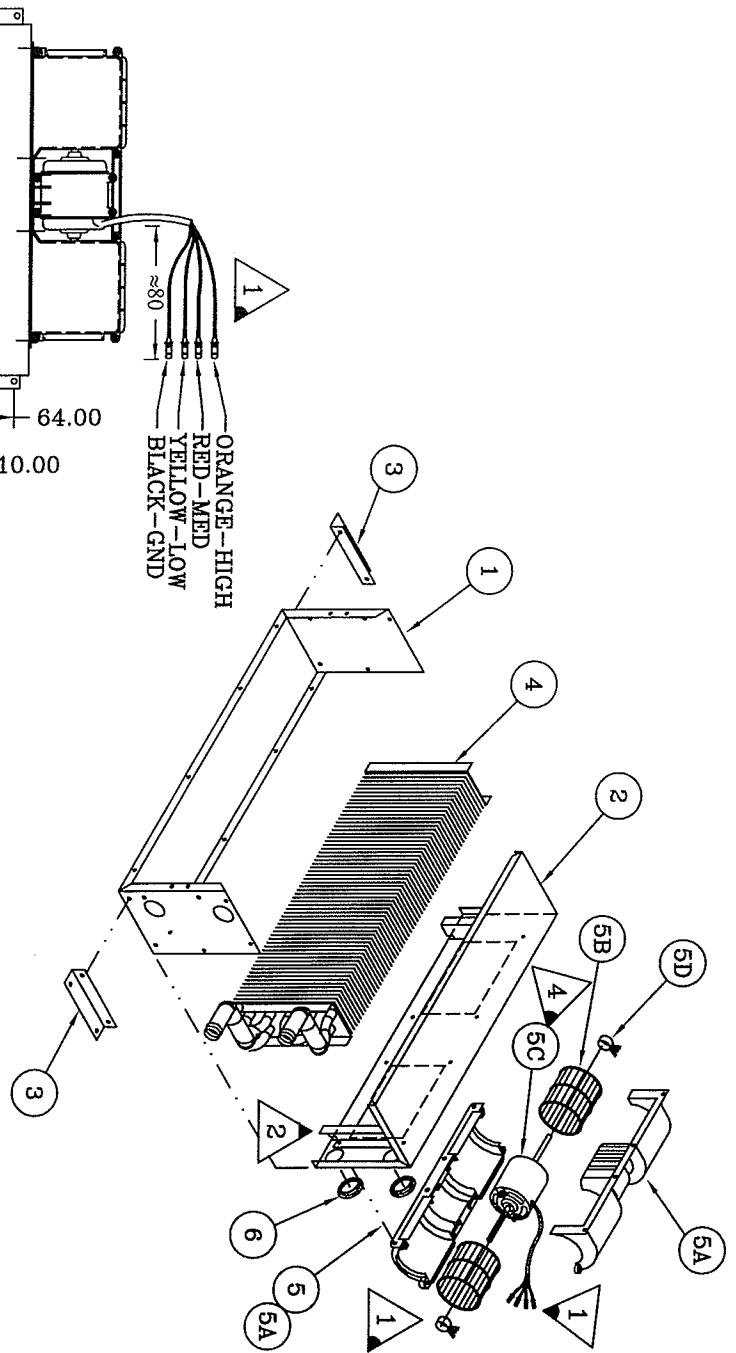


THIS DRAWING / DESIGN IS STRICTLY CONFIDENTIAL & THE COPYRIGHT THEREIN THE EXCLUSIVE PROPERTY OF **MOBILE CLIMATE CONTROL INC.** AND MAY NOT BE USED OR COPIED OR EXHIBITED WITHOUT THEIR WRITTEN PERMISSION.



SPECIFICATIONS
 HEATING -24700 BTU/H (AT 150°F T.D.)
 AIR FLOW -295 CFM
 CURRENT -12 AMPS (AT 12V)
 WEIGHT -12.5 LBS.

3-SPEED MOTOR

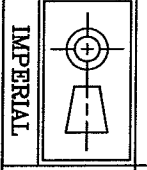
CUSTOMER:
 BOMBARDIER, VALCOURT, QUE.

ALL MOTOR WIRES: 16GA GPT (60°)
 300 mm LONG
 TERMINALS: 4x .25 TAB TERMINAL
 AMP# 42460-2

QTY	SYM	PCS	PART NO.	DESCRIPTION
6	28-0013	2	SNAP IN PLUG	
5D	25-0022	2	CLIP	
5C	25-2841	1	MOTOR ASSY. 12V	
5B	25-0021	2	BLOWER WHEEL	
5A	25-0017	1	BLOWER HOUSING	
5	15-0503	1	BLOWER 12V	
4	22-0103	1	HEATER COIL	
3	24-0012	2	BRACKET	
2	24-0008	1	COVER	
1	24-0009	1	CASING	

REV	DESCRIPTION	DATE	BY	CHK
4	REVISED AS PER ECN #5680	MAY 07/08	JZ	
3	REVISED AS PER ECN #3875	AUG 12/03	OP	
2	REVISED AS PER DCR 3598	JAN 28/03	OP	
1	REVISED AS PER DCR 1892	SEP 01/98	JAP	
RTM				

THIS PRINT IS PROVIDED ON A RESTRICTED BASIS AND IS NOT TO BE USED IN ANY WAY DETRIMENTAL TO THE INTEREST OF MOBILE CLIMATE CONTROL, INC.



CHECK BY: *[Signature]* DATE: *July 12 08*

Mobile Climate Control Inc.
 Toronto - Ontario - Canada

12-0215
 HEATER 12V

SCALE: NTS
 DATE: AUG 03, 1992
 DWT: P3-1261
 REV: 4